

# DS-1280ZJ-DM21

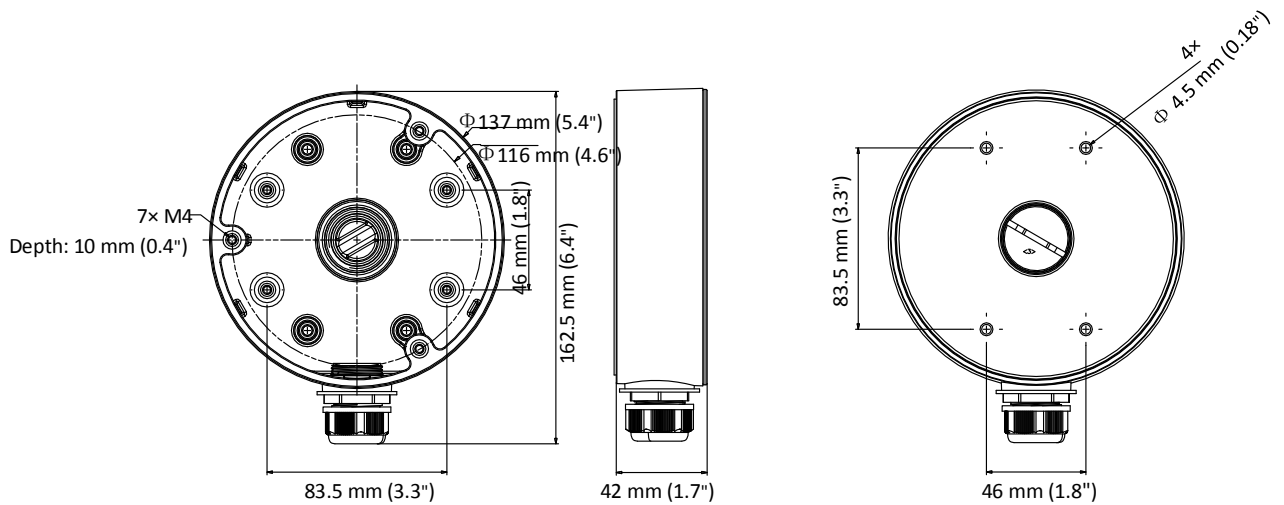
## Junction Box for Dome Camera



### Features

- Aluminum alloy material with surface spray treatment
- Side inlet and bottom inlet
- The bottom waterproof cover and the side gland nut are interchangeable
- Waterproof design

### Dimension



### Available Model

DS-1280ZJ-DM21

### Parameter

| Model      | DS-1280ZJ-DM21  |
|------------|---|
| Parameters | Junction Box for Dome Camera                                    |
| Appearance | White   |
| Material   | Aluminum Alloy  |
| Dimension  | $\Phi 137 \text{ mm} \times 42 \text{ mm}$ (5.4" $\times$ 1.7") |
| Weight     | 280 g (0.62 lb.)  |

### Notes

- The junction box should be installed on the flat surface.
- Waterproof rubber is necessary for outdoor application.
- The wall must be capable of supporting at least 3 times as much as the total weight of the camera and the mounting bracket.
- The maximum load capacity of the junction box is 4.5 kg (9.9 lb.).