

DS-1280ZJ-DM8

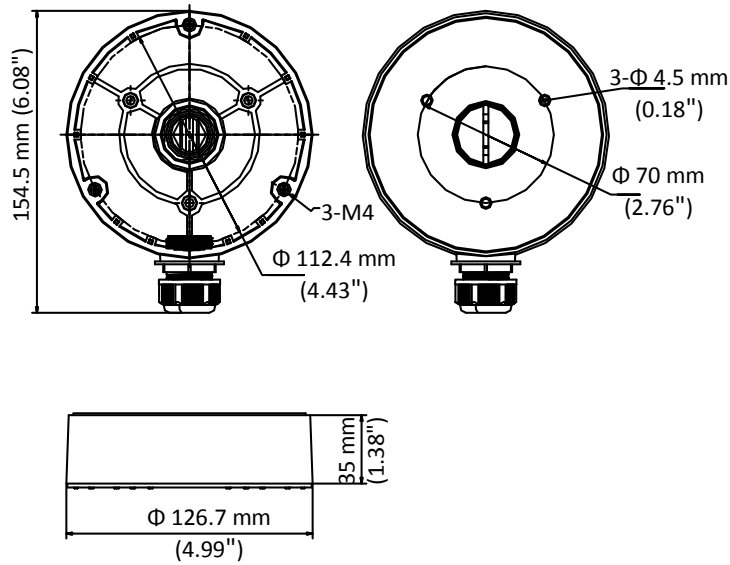
Junction Box for Dome Camera



Features

- Aluminum alloy material with surface spray treatment
- Side inlet and bottom inlet
- Interchangeable bottom waterproof cover and side gland nut
- Waterproof design

Dimension



Available Model

DS-1280ZJ-DM8

Parameter

Model	DS-1280ZJ-DM8
Parameters	Junction Box for Dome Camera
Appearance	White
Material	Aluminum Alloy
Dimension	Φ 126.7 mm × 35 mm (4.99" × 1.38")
Weight	Approx.: 210 g (0.46 lb.)

Notes

- The junction box should be installed on the flat surface.
- The waterproof rubber is necessary for the outdoor application.
- The wall must be capable of supporting at least 3 times as much as the total weight of the camera and the bracket.
- The maximum load capacity of the bracket is 1 Kg (2.2 lb.).