

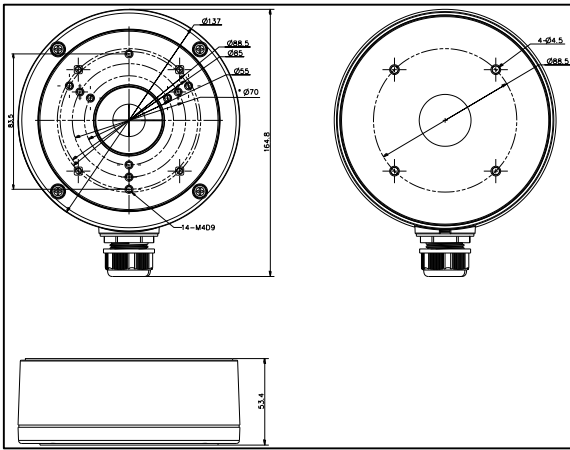
DS-1280ZJ-S

Junction Box for Dome Camera

Features:

- Aluminum alloy material with surface spray treatment
- Waterproof design
- Cable hole on bracket makes the feature better

Dimension:



Order Model:

DS-1280ZJ-S

Parameter:

Model	DS-1280ZJ-S
Parameters	Junction Box for Dome Camera
Appearance	White
Material	Aluminum Alloy
Dimension	Φ 137 x 53.4x 164.8mm
Weight	527g

Notice:

- The bracket should be installed on flat wall
- Waterproof rubber is necessary for outdoor application
- The wall must be capable of supporting over 3 times as much as the total weight of the camera and the mount.
- The maximum load capacity of the bracket is **4.5KG**

Note: The actual bracket may vary from the picture above.