

DS-1281ZJ-S

Inclined Ceiling Mount
Bracket for Dome Camera

Features:

- Aluminum alloy material with surface spray treatment
- Waterproof design
- Cable hole on bracket makes the feature better
- Design with junction box



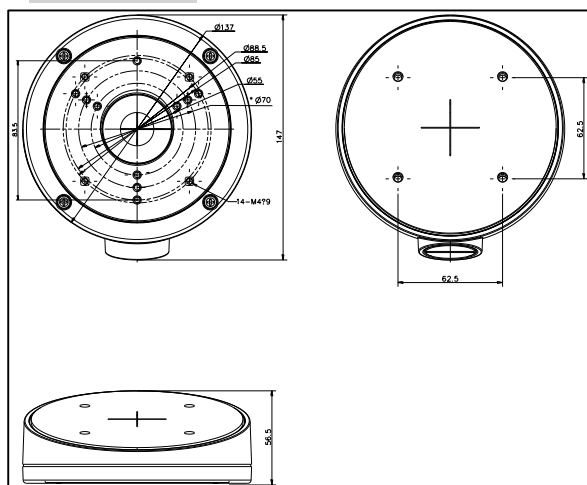
Order Model:

DS-1281ZJ-S

Parameter:

Model	DS-1281ZJ-S
Parameters	Junction Box for Dome Camera
Appearance	White
Material	Aluminum Alloy
Dimension	Φ 137 x 56.5x 147mm
Weight	472g

Dimension:



Notice:

- The bracket should be installed on flat wall
- Waterproof rubber is necessary for outdoor application
- The wall must be capable of supporting over 3 times as much as the total weight of the camera and the mount.
- The maximum load capacity of the bracket is **4.5KG**

Note: The actual bracket may vary from the picture above.