

DS-1604ZJ-Pole

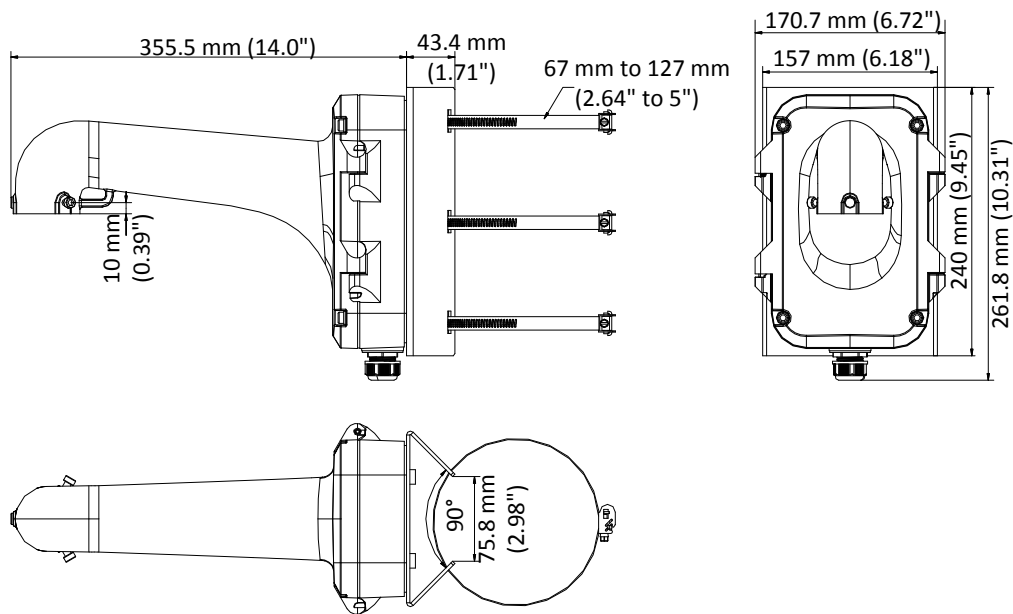
Vertical Pole Mounting Bracket for Speed Dome



Feature

- Vertical pole mounting bracket with the junction box
- Aluminum alloy and steel material with surface spray treatment
- Adjustable diameter from 67 mm to 127 mm
- Supports bottom outlet and back outlet
- The hook for safety rope facilitates speed dome's installation

Dimension



Available Model

DS-1604ZJ-Pole

Parameter

Model	DS-1604ZJ-Pole
Parameters	Vertical Pole Mounting Bracket for Speed Dome
Appearance	White
Material	Aluminum Alloy and Steel
Dimension	355.5 mm × 261.8 mm × 170.7 mm (14" × 10.31" × 6.72")
Weight	3.8 Kg (8.38 lb.)

Note

- The bracket should be installed on the flat surface.
- Waterproof rubber is necessary for the outdoor application.
- The wall must be capable of supporting at least 3 times as much as the total weight of the speed dome and the bracket.
- The bracket's maximum load capacity is 10 Kg (22 lb.).