



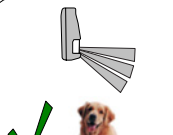
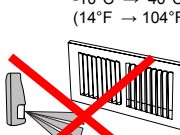
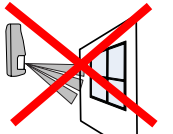
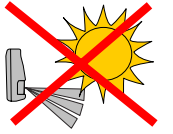
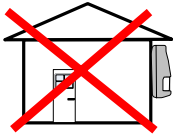
iWISE[®]
Wireless
PIR & PIR Pet Detectors



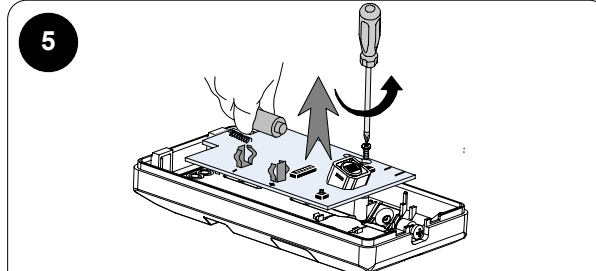
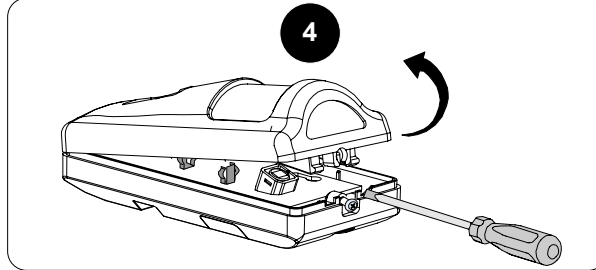
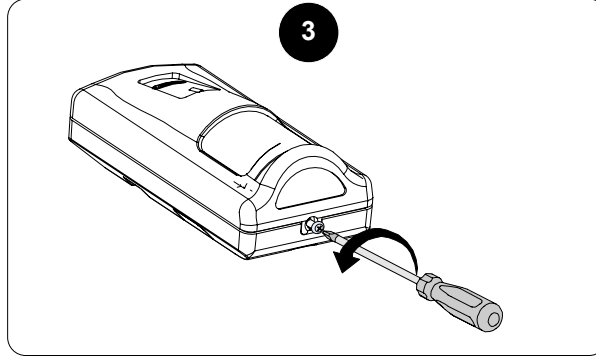
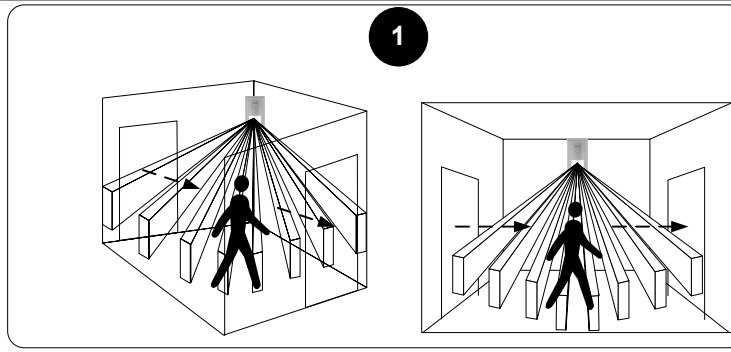
www.riscogroup.com
www.riscogroup.co.uk
www.riscogroup.fr
www.riscogroup.it
www.riscogroup.com/dutch
www.riscogroup.com/esp
www.riscogroup.com/por
www.riscogroup.com/cn



PIR 433MHz - RWT92043300C
PET 433MHz - RWT92P43300C
PIR 868MHz - RWT92086800C
PET 868MHz - RWT92P86800C



≤ 36kg (80lb)



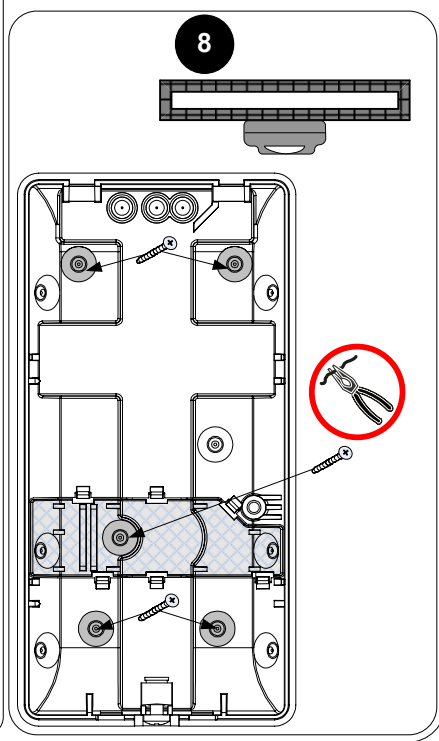
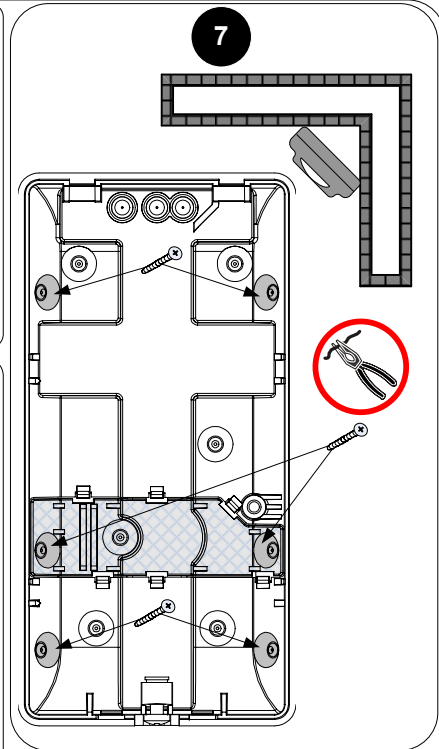
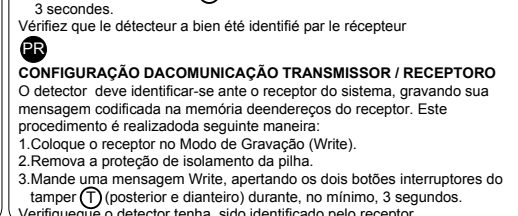
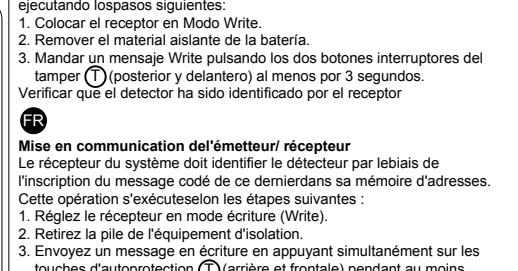
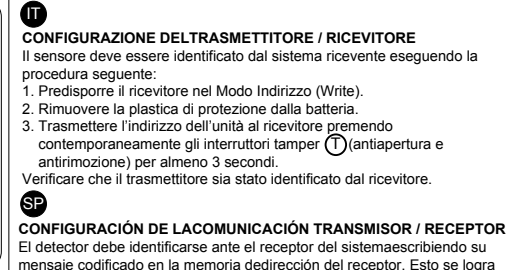
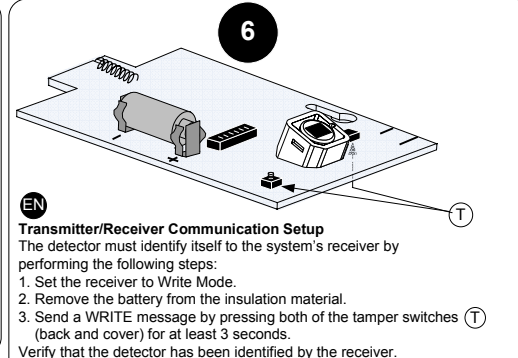
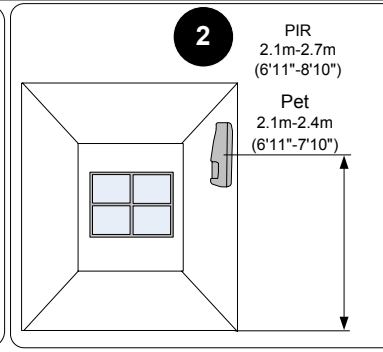
EN Caution: Risk of explosion if battery is replaced by an incorrect type. Dispose of used batteries according to local regulations.

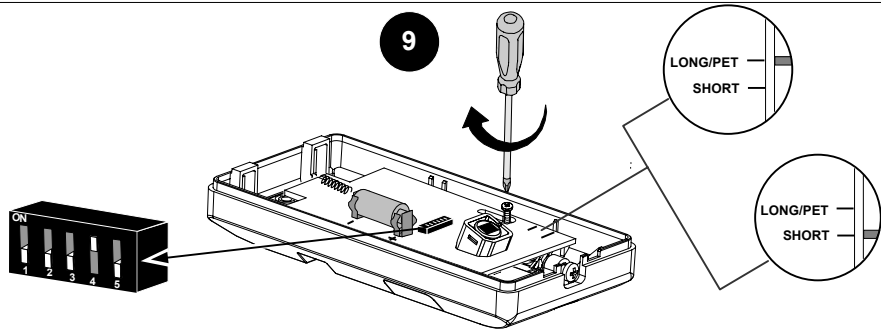
IT Attenzione: Pericolo di esplosione in caso di utilizzo di un tipo di batterie non adeguato. Smaltire le batterie secondo la normativa vigente.

SP Cuidado: Si la batería se reemplaza por un tipo incorrecto hay riesgo de explosión. Elimine las baterías usadas según las regulaciones locales.

FR Mise en garde : risque d'explosion si la pile est remplacée par un type incorrect. Débarrassez-vous des batteries usagées en accord avec les réglementations locales.

PR Cuidado: Pode ocorrer o risco de explosão caso substituir as pilhas por outras de tipo indevido. É necessário desfazer-se das pilhas usadas de acordo com os regulamentos locais.





SW1	EN	Function	OFF	ON	IT	Funzione	OFF	ON	SP	Función	OFF	ON	FR	Fonction	OFF	ON	PR	Função	OFF	ON
1		Sensitivity	Low	High		Sensibilità	Bassa	Alta		Sensibilidad	Baja	Alta		Sensibilité	Faible	Elevé		Sensibilidade	Baixa	Alta
2		Operation	Normal 2.5 min.	Walk Test		Modo operativo	Normale 2.5 min.	Prova Movimento		Modo de operación	Normal 2.5 min.	Prueba de Caminhada		Operation	Normal 2.5 min.	Test de passage		Operação	Normal 2.5 min.	Teste de Caminhada
3		Supervision	15 min.	65 min.		Supervisione	15 min.	65 min.		Monitoreo	15 min.	65 min.		Surveillance	15 min.	65 min.		Monitoração	15 min.	65 min.
4		LED	OFF	ON		LED	OFF	ON		LED	OFF	ON		LED	OFF	ON		LED	OFF	ON
* 5		RF	High	Low		RF	Alta	Bassa		RF	Alta	Baja		RF	Elevé	Faible		RF	Alta	Baixa

* 433 model only * Solo versione 433 MHz * Sólo modelo 433 MHz * Seulement modèle 433 MHz * Somente modelo 433 MHz

EN TECHNICAL SPECIFICATIONS

ELECTRICAL

Battery Type: CR 123, 3V Lithium Battery
 Current: PIR: 9 µA standby
 Consumption: Pet: 13 µA standby
 Frequency: 868.65MHz/ 433.92MHz
 Supervision: Every 15 minutes
 Transmission: or 65 minutes
 Modulation Type: ASK
 Battery Life: 3 years (Typical)

OPTICAL

Filtering: White Light Protection
 Pet: Up to 36 Kg (80lb)

PHYSICAL

Size: 127.6 x 64.2 x 46.6 mm
 (5 x 2.5 x 1.84 in.)

ENVIRONMENTAL

RF Immunity: According to EN50130-4
 Operating: -10°C to 40°C
 (14°F to 104°F)
 Temperature: -20°C to 60°C
 Storage: (-4°F to 140°F)

Specifications are subject to change without prior notice. Should any questions arise please contact your supplier.

IT SPECIFICHE TECNICHE

ELETTRICHE

Tipo batteria: Batteria al Litio CR123, 3V
 Assorbimento in Corrente: PIR: 9 µA a riposo
 Pet: 13 µA a riposo
 Frequenza: 868.65MHz/ 433.92MHz
 Trasmissione supervisione: Ogni 15 minuti o 65 minuti
 Tipo di Modulazione: ASK
 Durata Batteria: 3 anni (Tipico)

OTTICHE

Filtro: Protezione dalle luci bianche
 Animali domestici: ≤ 36 Kg (80lb)

PHYSIQUES :

Dimensions : 127.6 x 64.2 x 46.6 mm
 (5 x 2.5 x 1.84 in.)

AMBIENTAL

Immunità RF : Conforme alla normativa EN50130-4
 Temp. di funzionamento: -10°C to 40°C
 (14°F to 104°F)
 Temperatura di stoccaggio: -20°C to 60°C
 (-4°F to 140°F)

Le specifiche possono essere soggette a modifiche senza preavviso. Per qualsiasi informazione contattare il Vostro distributore

SP ESPECIFICACIONES

ELÉCTRICA

Batería del tipo: CR123, 3v Batería de litio
 Consumo de Corriente: PIR: 9 µA de Reserva
 Pet: 13 µA de Reserva
 Frecuencia: 868.65MHz/ 433.92MHz
 Transmisión de Monitoreo: Cada 15 minutos /o 65 minutos
 Tipo de Modulación: ASK
 Duración de la Batería: 3 años (Típico)

ÓPTICA

Filtración: Protección Contra Luz Blanca
 Animales domésticos: ≤ 36 Kg (80lb)

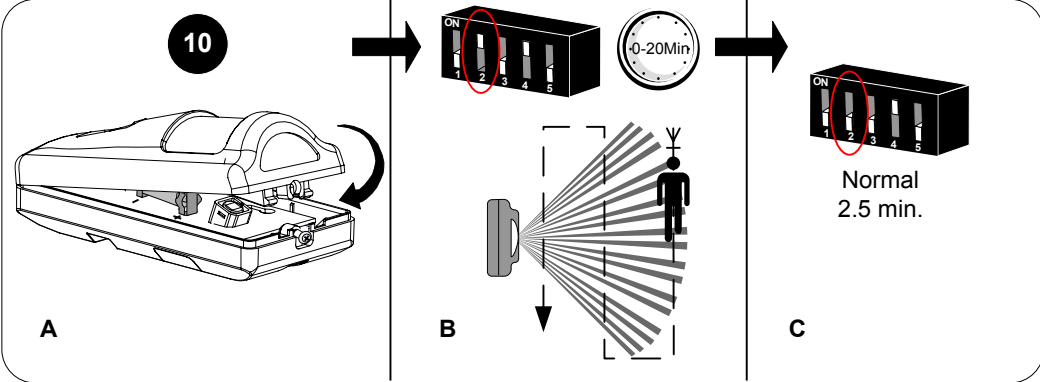
FÍSICA

Dimensiones: 127.6 x 64.2 x 46.6 mm
 (5 x 2.5 x 1.84 in.)

AMBIENTAL

Immunità RF : Ajustarse a EN50130-4
 Temperatura de Operación: -10°C to 40°C
 (14°F to 104°F)
 Temperatura de almacenamiento: -20°C to 60°C
 (-4°F to 140°F)

Las especificaciones están sujetas a cambios sin aviso anterior. En caso de dudas contacte su proveedor.



FR SPECIFICATIONS

ELECTRIQUES :

Pile : CR123, 3V Lithium.
 Consommation : PIR: 9 µA en veille.
 Pet: 13 µA en veille.
 Fréquence : 868.65MHz/ 433.92MHz
 Transmission de la surveillance : Toutes les 15 minutes/ ou 65 minutes.
 Type de modulation : ASK
 Durée de la pile: 3 ans (Typique)

OPTIQUES :

Filtrage : Lumière blanche de protection
 Animaux Domestiques : ≤ 36 Kg (80lb)

PHYSIQUES :

Dimensions : 127.6 x 64.2 x 46.6 mm
 (5 x 2.5 x 1.84 in.)

ENVIRONNEMENTALES

Immunité RF : Répond à la norme EN50130-4
 Température de fonctionnement : -10°C to 40°C
 (14°F to 104°F)
 Température de stockage : -20°C to 60°C
 (-4°F to 140°F)

Ces spécifications sont susceptibles de subir des modifications sans avis préalable. Si vous avez des questions, n'hésitez pas à contacter votre fournisseur.

PR ESPECIFICAÇÕES

ELÉTRICA

Tipo de Bateria: CR123, 3v Bateria de lítio
 Consumo de Corrente: PIR: 9 µA a de Reserva
 Pet: 13 µA a de Reserva
 Frequência: 868.65MHz/ 433.92MHz
 Monitoração: A cada 15 minutos /ou 65 minutos
 Tipo de Modulção: ASK
 Vida Útil da Bateria: 3 anos (Típico)

ÓTICA

Filtração: Proteção Contra Luz Branca
 Pequenos Animais: ≤ 36 Kg (80lb)

FÍSICA

Dimensões: 127.6 x 64.2 x 46.6 mm
 (5 x 2.5 x 1.84 in.)

AMBIENTAL

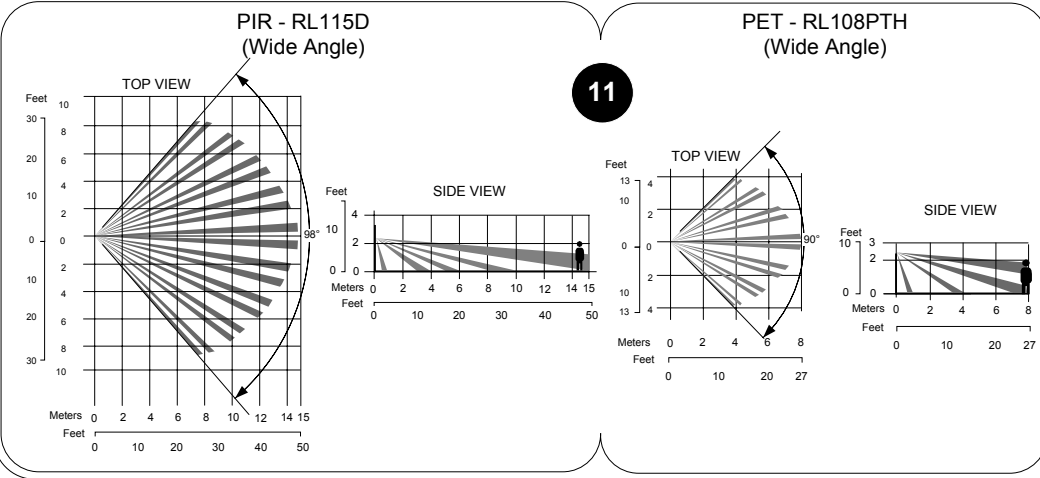
Imunidade RF: Conformer-se a EN50130-4
 Temperatura de Operação: -10°C to 40°C
 (14°F to 104°F)
 Temperatura de Armazenagem: -20°C to 60°C
 (-4°F to 140°F)

As especificações estão sujeitas a modificações sem aviso prévio. Em caso de dúvidas, contate seu fornecedor.

Contacting RISCO Group

RISCO Group is committed to customer service and product support. You can contact us through our website www.riscogroup.com or as follows:

United Kingdom Tel: +44-161-655-5500 technical@riscogroup.co.uk	USA Tel: +305-592-3820 support@riscogroupusa.com
Italy Tel: +39-02-66590054 support@riscogroup.it	Brazil Tel: +55-11-3661-8767 support-br@riscogroup.com
Spain Tel: +34-91-490-2133 support-es@riscogroup.com	China Tel: +86-21-52-39-0066 support-cn@riscogroup.com
France Tel: +33-164-73-28-50 support-fr@riscogroup.com	Poland Tel: +48-22-500-28-40 support-pl@riscogroup.com
Belgium Tel: +32-2522 7622 support-be@riscogroup.com	Israel Tel: +972-3963-7777 support@riscogroup.com



Approvals (RWT92086800C, RWT92P86800C)

EN50131-1,
 EN50131-2-2 Grade 2
 EN50130-5 Environmental Class II
 EN50131-6: Type C
 EN50131-5-3 Grade 2



SSF 1014 LarmKlass R

Hereby RISCO Group declares that this control panel and its accessories are in compliance with the essential requirements and other relevant provisions of Directive 1999/5/EC. For the CE Declaration of Conformity please refer to our website: www.riscogroup.com.

FCC part 15 statement and warnings (RWT92x43300C)

NOTE: This equipment has been tested and found to comply with the limits for a Class B digital device, pursuant to Part 15 of the FCC Rules. These limits are designed to provide reasonable protection against harmful interference in a residential installation. This equipment generates, uses and can radiate radio frequency energy and, if not installed and used in accordance with the instructions, may cause harmful interference to radio communications. However, there is no guarantee that interference will not occur in a particular installation. If this equipment does cause harmful interference to radio or television reception, which can be determined by turning the equipment off and on, the user is encouraged to try to correct the interference by one or more of the following measures:

- Reorient or relocate the receiving antenna.
- Increase the separation between the equipment and receiver.
- Connect the equipment into an outlet on a circuit different from that to which the receiver is connected.
- Consult the dealer or an experienced radio/TV technician for help.

FCC ID: JE4RWT90X433